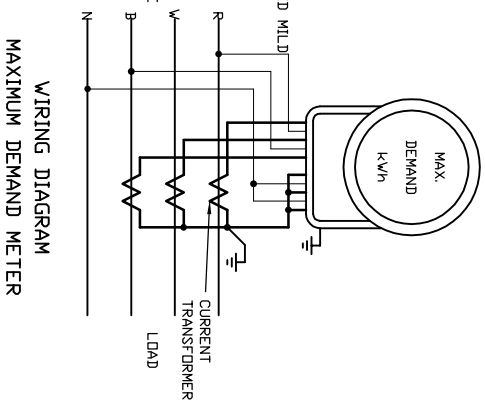
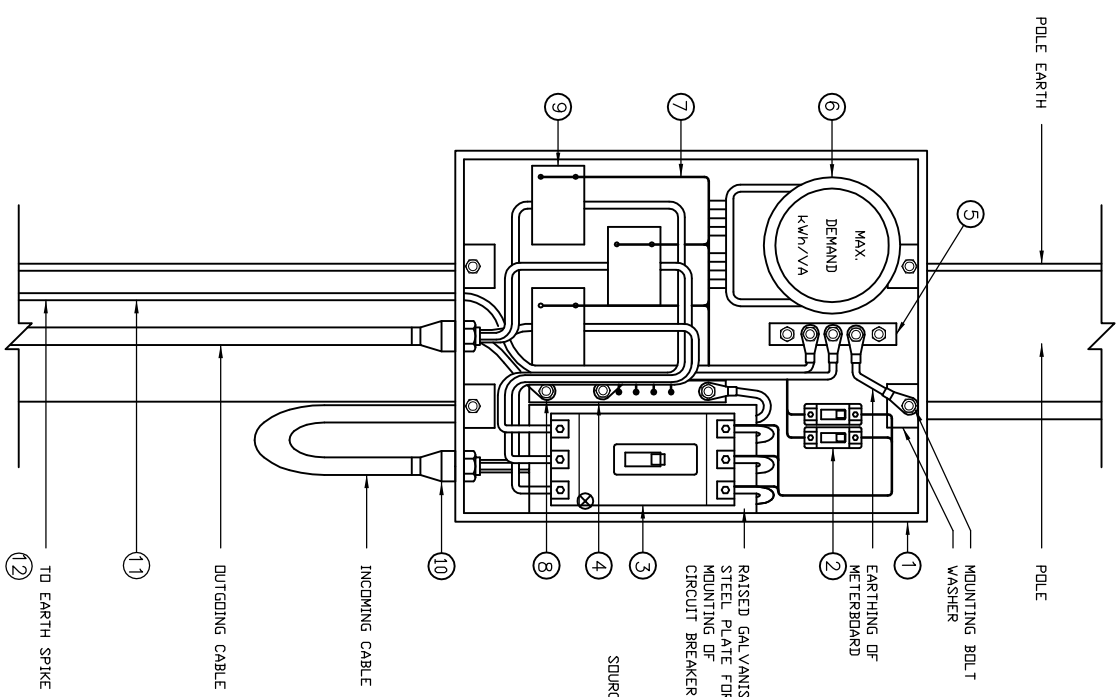


COPYRIGHT © 2009 EMCON  
 ALL RIGHTS RESERVED. NO PART OF THIS PUBLICATION MAY BE REPRODUCED STORED IN A RETRIEVAL SYSTEM OR TRANSMITTED IN ANY FORM OR BY ANY MEANS, ELECTRONIC, MECHANICAL, PHOTOCOPYING, RECORDING OR OTHERWISE, WITHOUT THE PERMISSION IN WRITING FROM EMCON.

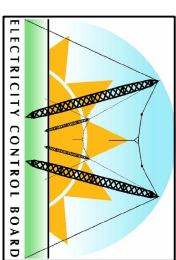


WIRING DIAGRAM  
 MAXIMUM DEMAND METER

ITEM	DESCRIPTION	QTY	REMARKS
1	METERBOARD	1	MAXIMUM DEMAND GEN TYPE
2	MINIATURE CIRCUIT BREAKER	-	AS SPECIFIED
3	TRIPLE POLE CIRCUIT BREAKER	-	AS SPECIFIED
4	NEUTRAL BUSBAR (COPPER)	1	225x25x6mm C/W INSUL. MOUNT
5	EARTH BUSBAR (COPPER)	1	225x25x6mm C/W INSUL. MOUNT
6	KWh/MAXIMUM DEMAND METER	1	VECTRON TRANSFORMER CT/TYPE
7	PVC INSULATED CONDUCTORS	1m	4mm <sup>2</sup> SINGLE CORE
8	TERMINATION LUGS	-	SIZE & QUANTITY AS REQUIRED
9	CURRENT TRANSFORMERS	2	RATIO AS APPROPRIATE
10	CABLE GLANDS	2	SIZE & QUANTITY AS REQUIRED
11	EARTH CONDUCTOR	17m	35mm <sup>2</sup> BARE COPPER
12	EARTH SPIKE	1	12m LONG 16mm $\phi$

- NOTES:**
- FOR MOUNTING DETAILS REFER TO DRAWING STD-LVBOH-24
  - METERBOARD TO INCLUDE RAISED PLATE, COVER AND HINGED DOOR. COVER IS NOT SHOWN HERE.
  - THE RATING OF THE LARGE FRAME CIRCUIT BREAKER SHALL BE AS INSTRUCTED
  - CONDUCTOR SIZES USED IN METERBOARD SHALL COMPLY WITH BS 5.
  - THE CURRENT TRANSFORMERS (CT'S) TO BE INSTALLED SHALL BE AS INSTRUCTED.
  - THE CT RATIOS SHALL BE INDICATED ON THE METER ON A LABEL.
  - ALL BUSBARS SHALL BE SOLID COPPER INSTALLED ONTO INSULATORS
  - ARRANGEMENT SHOWN ONLY FOR UP TO 70mm<sup>2</sup> CONDUCTORS/CABLES.

**ELECTRICITY CONTROL BOARD**



Box 2923  
 Windhoek  
 NAMIBIA  
 Tel: (061) 374300  
 Fax: (061) 374305

**DRAWING TITLE**  
 LOW VOLTAGE DISTRIBUTION:  
 METERBOARD LAYOUT:  
 MAXIMUM DEMAND  
 3 PHASE CONSUMER

<b>DESIGNED:</b> A.K	<b>DRAWN:</b> J.W.S	<b>REV:</b> 01-2001
<b>DRAWING No:</b> STD-LVBOH-21		<b>SCALE:</b> N.T.S

TYPICAL DETAIL OF MAXIMUM DEMAND METERBOARD (POLE MOUNTED)



ERROR: syntaxerror  
OFFENDING COMMAND: --nostringval--

STACK:

/Title  
( )  
/Subject  
(D:20100127093248+02'00')  
/ModDate  
( )  
/Keywords  
(PDFCreator Version 0.9.5)  
/Creator  
(D:20100127093248+02'00')  
/CreationDate  
(johnny)  
/Author  
-mark-