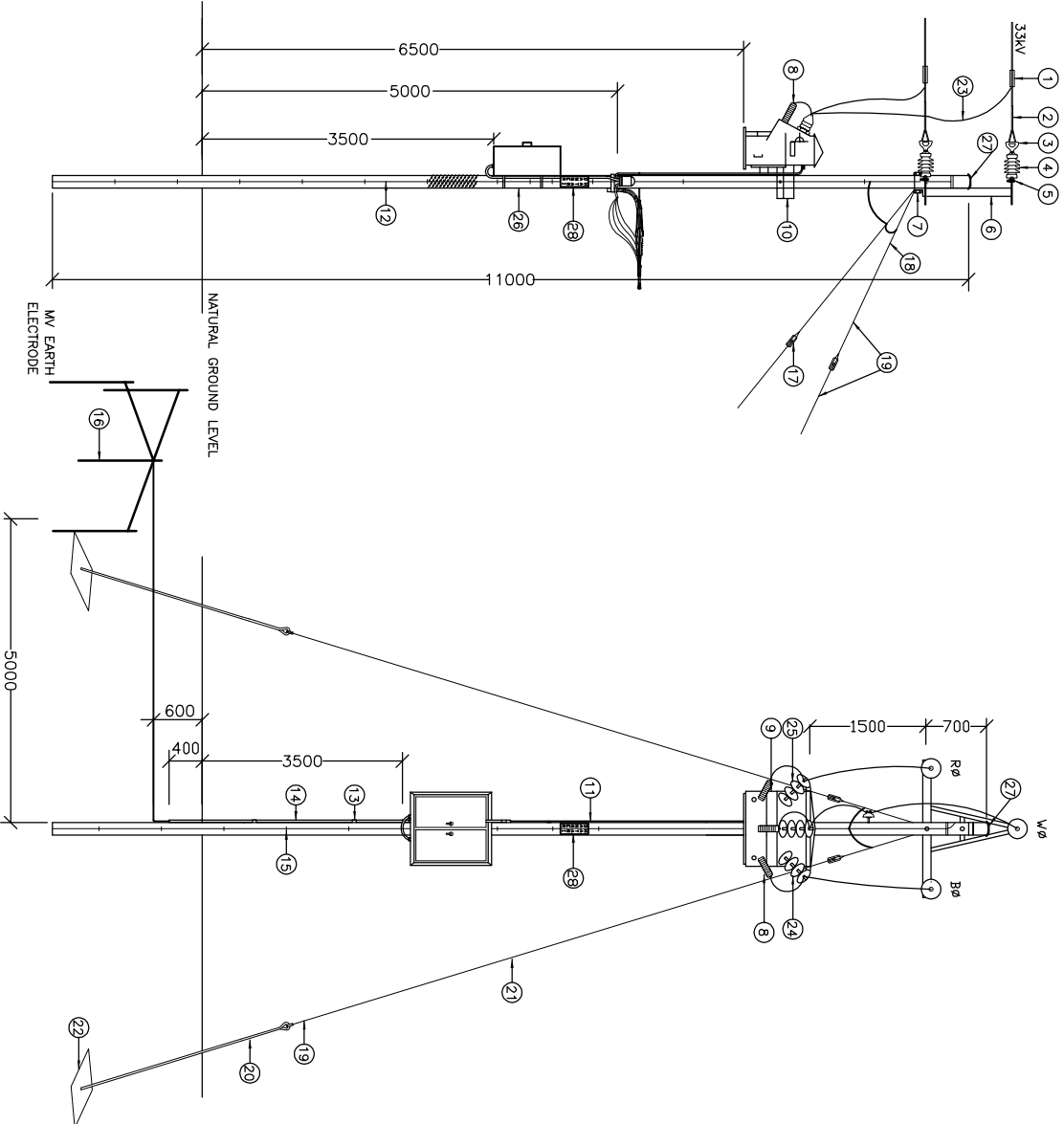


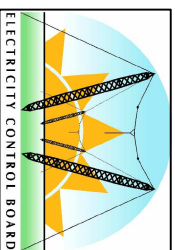
COPYRIGHT © 2009 EMCIN
 ALL RIGHTS RESERVED. NO PART OF THIS PUBLICATION MAY BE REPRODUCED STORED IN A RETRIEVAL SYSTEM OR TRANSMITTED IN ANY FORM OR BY ANY MEANS, ELECTRONIC, MECHANICAL, PHOTOCOPYING, RECORDING OR OTHERWISE, WITHOUT THE PERMISSION IN WRITING FROM EMCIN.



ITEM	DESCRIPTION	QTY	REMARKS
1	PG CLAMP	3	P.P. 2874-28
2	DEAD END	3	P.P. AOE 280
3	THIMBLE CLEVIS	3	P.P. MTC70
4	LONGROD INSULATOR	3	CULLINAN EP 1044, 1200 GREEPAGE
5	PIN	3	CULLINAN MILD STEEL
6	STRAIN A-FRAME	1	SEE DWG NO. STD-WAF-11
7	BOLTS & WOOD POLE WASHERS	8	CULLINAN V37 COMPLETE
8	SURGE ARRESTOR	1	AB CHANGE JOSSELYN 1924 10RS
9	TRANSFORMER MOUNTING BRACKET	1	RATING AS SPECIFIED
10	TRANSFORMER CONDUCTOR	15m	BARE COPPER CONDUCTOR 70mm ²
11	MW EARTH CONDUCTOR	20m	3/4.00mm STAY WIRE
12	POLE EARTH CONDUCTOR	10	
13	SADDLES	3m	HOPE 50mm ϕ
14	KICK PIPE	-	3x32mm HOT DIP GALVANISED
15	STAPLES	4	1.2m LONG - 16mm ϕ
16	EARTH SPIKE	2	CULLINAN, 21-0522
17	STAY INSULATOR	2	P.P. P1472
18	POLE TOP MAKE OFF	2	P.P. G5DE 472
19	GUY GRIP	6	
20	STAY ROD	30m	5/4 STAY WIRE GALVANISED
21	STAY WIRE GALVANISED	2	CULLINAN BS20 C/W THIMBLE
22	BASE PLATE	2	CULLINAN 350x350x6mm GALV.
23	GOPHER JUMPERS	3x3m	GOPHER ALUMINIUM CONDUCTOR
24	TRANSFORMER BUSHINGS	3	SUPPLIED WITH TR
25	TERMINATION LUGS	3	ALUMINIUM TO BRASS 70x16
26	WOODEN POLE	1	117/12m LONG WITH TOP 160mm ϕ
27	POLE CAP	1	
28	DANGER PLATE		

- NOTES:
1. ALL FABRICATED ITEMS, BOLTS, NUTS AND WASHERS SHALL BE HOT DIPPED GALVANISED TO SABS 763.
 2. FOR TRANSFORMER RATED 50kVA.
 3. ALUMINIUM OXIDE GREASE SHALL BE USED ON ALL CLAMPS FOR CORROSION PROTECTION.
 4. THE A-FRAME AND GRADLE MUST BE PROPERLY EARTHED TO SPECIFIED STANDARD, AND BONDED TO MW EARTH.

ELECTRICITY CONTROL BOARD



Box 2923
 Windhoek
 NAMIBIA

Tel: (061) 374300
 Fax: (061) 374305

DRAWING TITLE

MEDIUM VOLTAGE BARE OVERHEAD DISTRIBUTION DISTRIBUTION TRANSFORMER STRUCTURE SINGLE POLE MOUNTING

DESIGNED: A.K DRAWN: J.W.S REV: 01-2001
 DRAWING No: STD-AMVAE-33KV-02 SCALE: N.T.S

ERROR: syntaxerror
OFFENDING COMMAND: --nostringval--

STACK:

/Title
()
/Subject
(D:20100127142700+02'00')
/ModDate
()
/Keywords
(PDFCreator Version 0.9.5)
/Creator
(D:20100127142700+02'00')
/CreationDate
(johnny)
/Author
-mark-